

## Single N-Channel MOSFET

### DESCRIPTION

SMC3404 is the N-Channel enhancement mode power field effect transistors are using trench DMOS technology. This advanced trench technology devices are well suited for high efficiency fast switching applications, low in-line power loss are needed in small outline surface mount package.

### PART NUMBER INFORMATION

**SMC 3404 S - TR G**  
 a      b      c      d      e

- a : Company name.
- b : Product Serial number.
- c : Package code            S: SOT-23L
- d : Handling code          TR: Tape&Reel
- e : Green produce code G: *RoHS Compliant*

### FEATURES

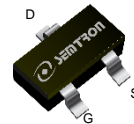
**$V_{DS} = 30V, I_D = 6.7A$**

$R_{DS(ON)} = 18m\Omega (Typ.) @ V_{GS} = 10V$   
 $R_{DS(ON)} = 23m\Omega (Typ.) @ V_{GS} = 4.5V$

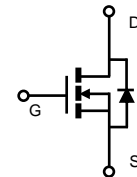
- ◆ Fast switch
- ◆ Low gate drive applications
- ◆ High power and current handling capability

### APPLICATIONS

- ◆ Power Management in Note book
- ◆ Portable Equipment
- ◆ DC/DC Converter



SOT-23L



### ABSOLUTE MAXIMUM RATINGS ( $T_A = 25^\circ C$ Unless otherwise noted)

Symbol	Parameter	Rating	Units
$V_{DSS}$	Drain-Source Voltage	30	V
$V_{GSS}$	Gate-Source Voltage	$\pm 20$	V
$I_D$	Continuous Drain Current	$T_A = 25^\circ C$	6.7
		$T_A = 70^\circ C$	5.3
$I_{DM}$	Pulsed Drain Current <sup>A</sup>	26.8	A
$P_D$	Power Dissipation <sup>C</sup>	$T_A = 25^\circ C$	1.6
		$T_A = 70^\circ C$	1.0
$T_J$	Operation Junction Temperature	-55/150	$^\circ C$
$T_{STG}$	Storage Temperature Range	-55/150	$^\circ C$

### THERMAL RESISTANCE

Symbol	Parameter	Typ	Max	Units
$R_{\theta JA}$	Thermal Resistance Junction to Ambient <sup>B</sup>	$t \leq 10s$	80	$^\circ C/W$
	Thermal Resistance Junction to Ambient <sup>BD</sup>	Steady-State	120	

## ELECTRICAL CHARACTERISTICS ( $T_A = 25^\circ\text{C}$ Unless otherwise noted )

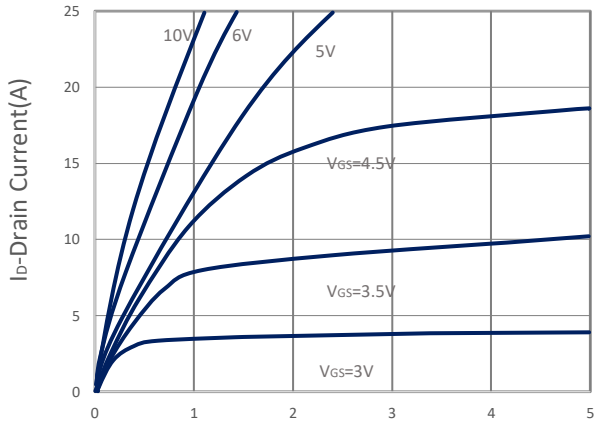
Symbol	Parameter	Condition	Min	Typ	Max	Unit
<b>Static Parameters</b>						
BV <sub>DSS</sub>	Drain-Source Breakdown Voltage	V <sub>GS</sub> =0V, I <sub>D</sub> =250 $\mu$ A	30			V
V <sub>GS(th)</sub>	Gate Threshold Voltage	V <sub>DS</sub> =V <sub>GS</sub> , I <sub>D</sub> =250 $\mu$ A	1	1.5	2	V
I <sub>GSS</sub>	Gate Leakage Current	V <sub>DS</sub> =0V, V <sub>GS</sub> = $\pm$ 20V			$\pm$ 100	nA
I <sub>DSS</sub>	Zero Gate Voltage Drain Current	V <sub>DS</sub> =30V, V <sub>GS</sub> =0V, T <sub>J</sub> =25 $^\circ$ C			1	$\mu$ A
		V <sub>DS</sub> =24V, V <sub>GS</sub> =0V, T <sub>J</sub> =75 $^\circ$ C			10	
R <sub>DS(ON)</sub>	Drain-source On-Resistance	V <sub>GS</sub> =10V, I <sub>D</sub> =6.7A		18	22	m $\Omega$
		V <sub>GS</sub> =4.5V, I <sub>D</sub> =5.3A		23	30	
G <sub>fs</sub>	Forward Transconductance	V <sub>DS</sub> =15V, I <sub>D</sub> =6A		12		S
<b>Diode Characteristics</b>						
V <sub>SD</sub>	Diode Forward Voltage	I <sub>S</sub> =1A, V <sub>GS</sub> =0V		0.7	1.0	V
I <sub>S</sub>	Continuous Source Current				3.3	A
<b>Dynamic and Switching Parameters</b>						
Q <sub>g</sub> (10V)	Total Gate Charge	V <sub>DS</sub> =15V, V <sub>GS</sub> =10V, I <sub>D</sub> =6.5A		8.4	11.3	nC
Q <sub>g</sub> (4.5V)	Total Gate Charge			4.2	5.7	
Q <sub>gs</sub>	Gate-Source Charge			1.6	2.2	
Q <sub>gd</sub>	Gate-Drain Charge			2	2.7	
C <sub>iss</sub>	Input Capacitance	V <sub>DS</sub> =15V, V <sub>GS</sub> =0V, f=1MHz		420		pF
C <sub>oss</sub>	Output Capacitance			62		
C <sub>rss</sub>	Reverse Transfer Capacitance			50		
t <sub>d(on)</sub>	Turn-On Time	V <sub>DD</sub> =15V, V <sub>GEN</sub> =10V, R <sub>G</sub> =6 $\Omega$ , I <sub>D</sub> =1A		5.3	10	nS
t <sub>r</sub>				7.6	14	
t <sub>d(off)</sub>	Turn-Off Time			15.8	30	
t <sub>f</sub>				4.2	8	

Note: Absolute maximum ratings are those values beyond which the device could be permanently damaged.

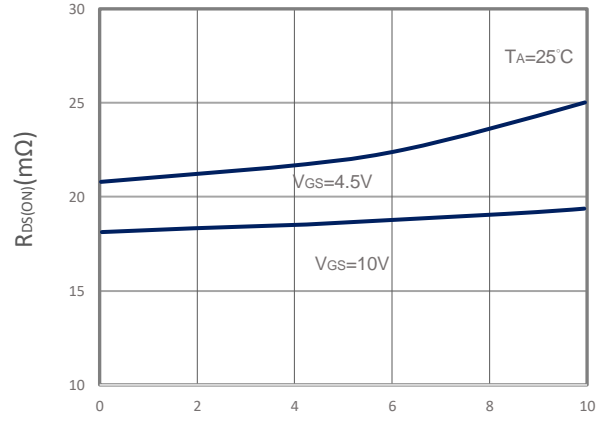
- Pulsed width limited by maximum junction temperature, T<sub>J(MAX)</sub>=150 $^\circ$ C.
- The value is measured with the device mounted on 1in2 FR-4 board in a still air environment T<sub>A</sub> =25 $^\circ$ C with.
- The T<sub>J(MAX)</sub>=150 $^\circ$ C, using junction-to-ambient thermal resistance.
- T<sub>J(MAX)</sub>=150 $^\circ$ C, using junction-to-case thermal resistance (R<sub>θJC</sub>) is more useful in additional heat sinking is used.

The products and product specifications contained herein are subject to change without notice to improve performance characteristics. Consult us, or our representatives before use, to confirm that the information in this datasheet is up to date. We assume no responsibility for any infringement of patents, patent rights, or other rights arising from the use of any information and circuitry in this datasheet.

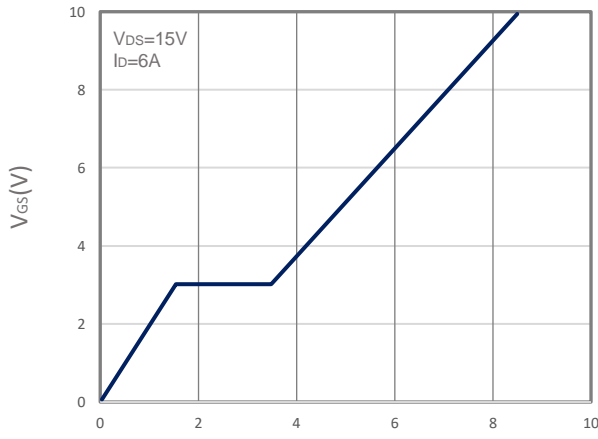
## TYPICAL CHARACTERISTICS



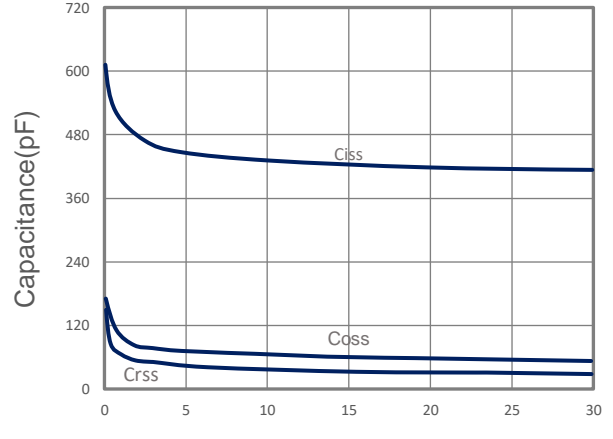
V<sub>DS</sub>-Drain Source Voltage(V)  
**Output Characteristics**



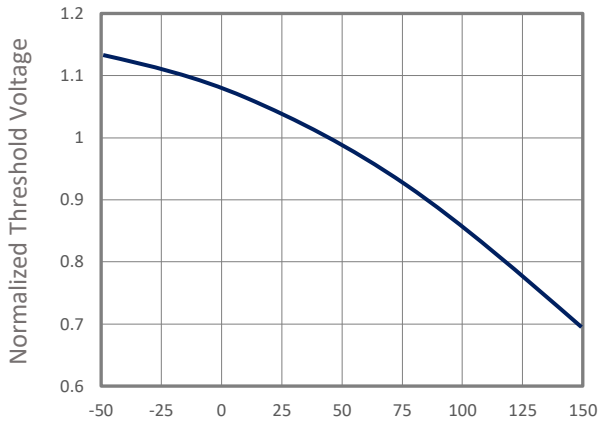
Id-Drain Current(A)  
**Drain-Source On Resistance**



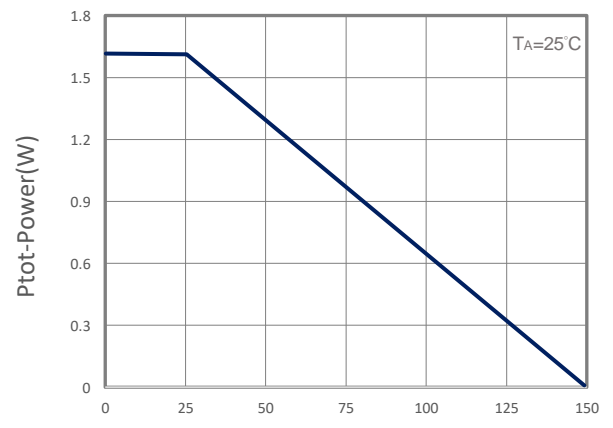
Qg-Gate Charge (nC)  
**Gate Charge**



V<sub>DS</sub>-Drain Source Voltage(V)  
**Capacitance**

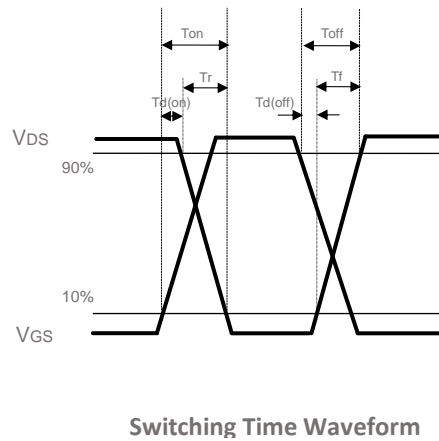
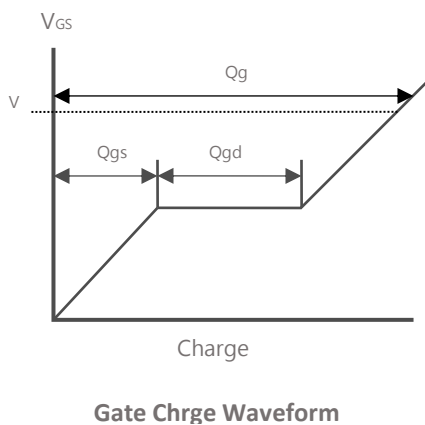
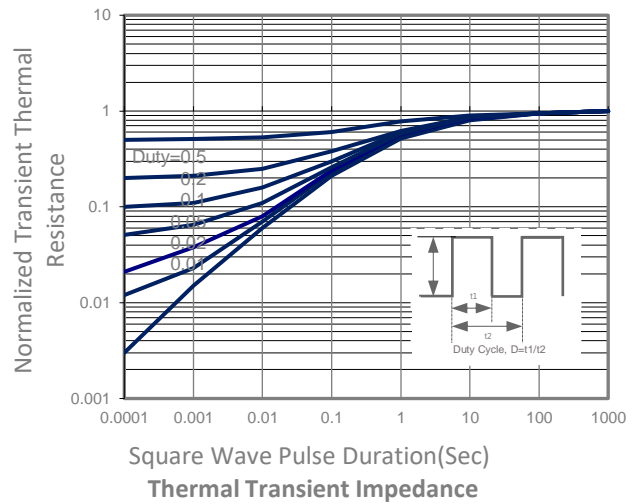
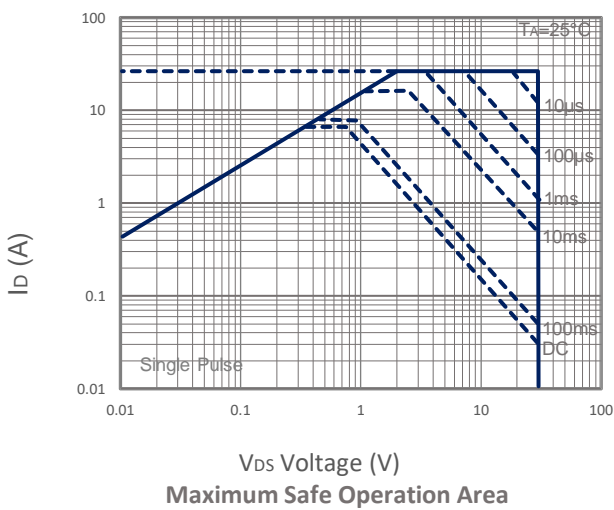
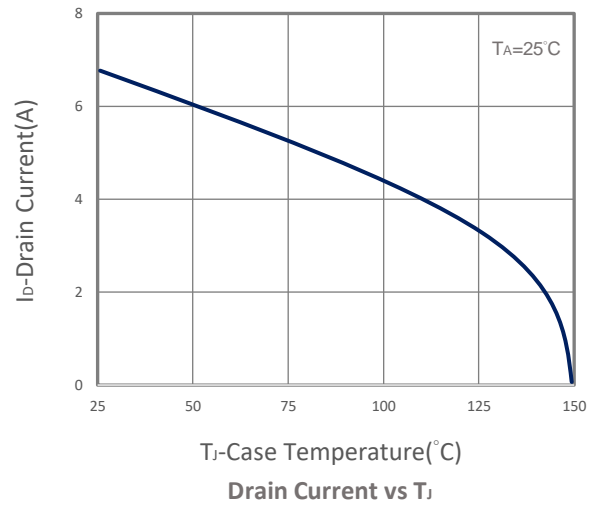
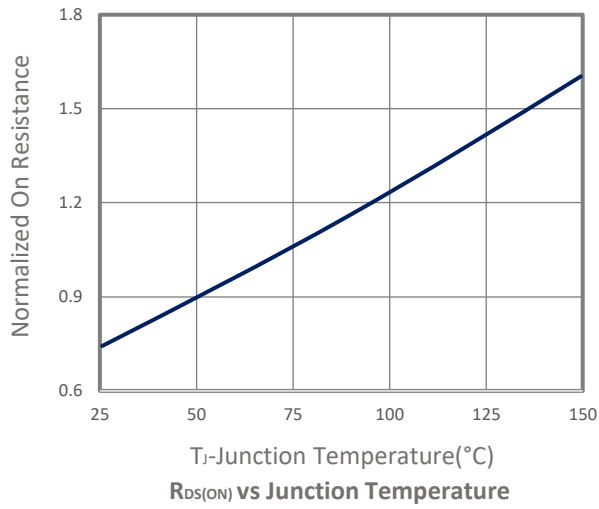


T<sub>J</sub>-Junction Temperature(°C)  
**Gate Threshold Voltage**

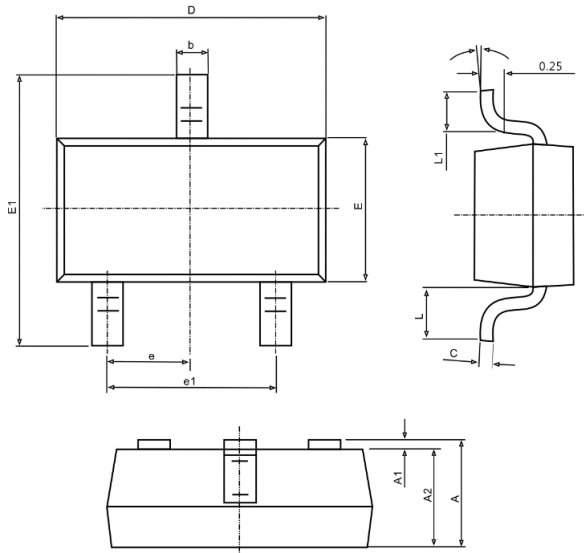


T<sub>J</sub>-Junction Temperature(°C)  
**Power Dissipation**

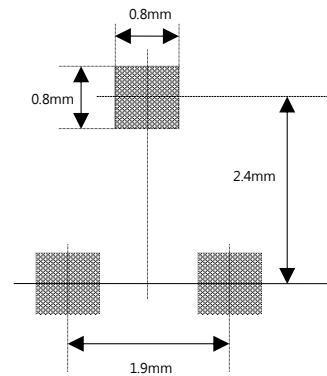
## TYPICAL CHARACTERISTICS



## ■ SOT-23L PACKAGE DIMENSIONS



Recommended Minimum Pad(mm)



Symbol	Dimensions In Millimeters		Dimensions In Inches	
	Min.	Max.	Min.	Max.
A	1.000	1.300	0.039	0.049
A1	0.000	0.100	0.000	0.004
A2	1.000	1.200	0.039	0.047
b	0.300	0.500	0.012	0.020
c	0.047	0.207	0.002	0.008
D	2.800	3.000	0.110	0.118
E	1.500	1.700	0.059	0.067
E1	2.600	3.000	0.102	0.118
e	0.950 TYP.		0.037 TYP.	
e1	1.900 TYP.		0.075 TYP.	
L1	0.250	0.550	0.010	0.022
θ	0°	8°	0°	8°