

Single N-Channel MOSFET

DESCRIPTION

SMC3400 is the N-Channel enhancement mode power field effect transistors are using trench DMOS technology. This advanced trench technology devices are well suited for high efficiency fast switching applications, low in-line power loss are needed in small outline surface mount package.

PART NUMBER INFORMATION

SMC 3400 S - TR G
 a b c d e

- a : Company name.
- b : Product Serial number.
- c : Package code S: SOT-23L
- d : Handling code TR: Tape&Reel
- e : Green produce code G: *RoHS Compliant*

FEATURES

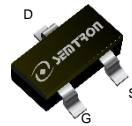
$V_{DS} = 30V, I_D = 6.4A$

$R_{DS(ON)}=20m\Omega(Typ.)@V_{GS}=10V$
 $R_{DS(ON)}=23m\Omega(Typ.)@V_{GS}=4.5V$
 $R_{DS(ON)}=27m\Omega(Typ.)@V_{GS}=2.5V$

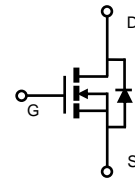
- ◆ Fast switch
- ◆ Low gate drive applications
- ◆ High power and current handling capability

APPLICATIONS

- ◆ Hand-Held Instruments
- ◆ Load Switch
- ◆ PWM Applications



SOT-23L



ABSOLUTE MAXIMUM RATINGS ($T_A = 25^\circ C$ Unless otherwise noted)

Symbol	Parameter	Rating	Units
V_{DSS}	Drain-Source Voltage	30	V
V_{GSS}	Gate-Source Voltage	± 12	V
I_D	Continuous Drain Current	$T_A=25^\circ C$	6.4
		$T_A=70^\circ C$	5.1
I_{DM}	Pulsed Drain Current ^A	25.6	A
P_D	Power Dissipation ^C	$T_A=25^\circ C$	1.6
		$T_A=70^\circ C$	1.0
T_J	Operation Junction Temperature	-55/150	$^\circ C$
T_{STG}	Storage Temperature Range	-55/150	$^\circ C$

THERMAL RESISTANCE

Symbol	Parameter	Typ	Max	Units
$R_{\theta JA}$	Thermal Resistance Junction to Ambient ^B	$t \leq 10s$	80	$^\circ C/W$
	Thermal Resistance Junction to Ambient ^{BD}	Steady-State	120	

ELECTRICAL CHARACTERISTICS ($T_A = 25^\circ\text{C}$ Unless otherwise noted)

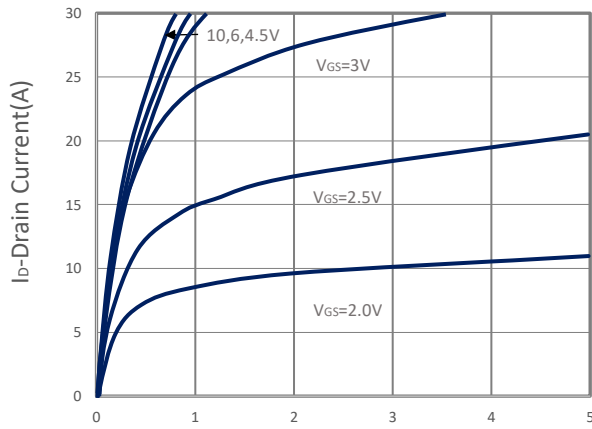
Symbol	Parameter	Condition	Min	Typ	Max	Unit
Static Parameters						
BV _{DSS}	Drain-Source Breakdown Voltage	V _{GS} =0V, I _D =250 μ A	30			V
V _{GS(th)}	Gate Threshold Voltage	V _{DS} =V _{GS} , I _D =250 μ A	0.5	0.7	1	V
I _{GSS}	Gate Leakage Current	V _{DS} =0V, V _{GS} = \pm 12V			\pm 100	nA
I _{DSS}	Zero Gate Voltage Drain Current	V _{DS} =30V, V _{GS} =0V, T _J =25 $^\circ$ C			1	μ A
		V _{DS} =24V, V _{GS} =0V, T _J =75 $^\circ$ C			10	
R _{DS(ON)}	Drain-source On-Resistance	V _{GS} =10V, I _D =6.4A		20	24	m Ω
		V _{GS} =4.5V, I _D =5.1A		23	26	
		V _{GS} =2.5V, I _D =3.2A		27	32	
G _{fs}	Forward Transconductance	V _{DS} =10V, I _D =5A		28		S
Diode Characteristics						
V _{SD}	Diode Forward Voltage	I _S =1A, V _{GS} =0V		0.7	1.0	V
I _S	Continuous Source Current				3.2	A
Dynamic and Switching Parameters						
Q _g (10V)	Total Gate Charge	V _{DS} =15V, V _{GS} =10V, I _D =5A		15.4	21.5	nC
Q _g (4.5V)	Total Gate Charge			7.5	10.5	
Q _{gs}	Gate-Source Charge			2	2.8	
Q _{gd}	Gate-Drain Charge			2.3	3.2	
C _{iss}	Input Capacitance	V _{DS} =15V, V _{GS} =0V, f=1MHz		670		pF
C _{oss}	Output Capacitance			54		
C _{rss}	Reverse Transfer Capacitance			42		
t _{d(on)}	Turn-On Time	V _{DD} =15V, V _{GEN} =10V, R _G =3 Ω , I _D =1A		4.7	9	nS
t _r				14	27	
t _{d(off)}	Turn-Off Time			30	57	
t _f				8.8	17	

Note: Absolute maximum ratings are those values beyond which the device could be permanently damaged.

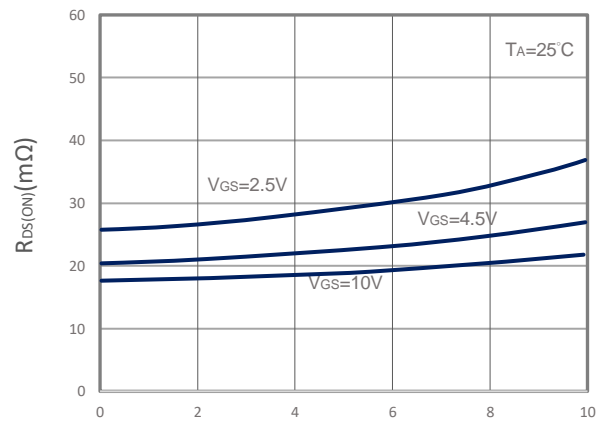
- Pulsed width limited by maximum junction temperature T_{J(MAX)}=150 $^\circ$ C, initial temperature T_J=25 $^\circ$ C.
- Measure the value in a still air environment at T_A=25 $^\circ$ C using an installation mounted on a 1 in2 FR-4 board.
- Current Rating based t \leq 10 sec thermal resistance rating.
- The R θ _{JA} is the sum of the thermal resistance.

The products and product specifications contained herein are subject to change without notice to improve performance characteristics. Consult us, or our representatives before use, to confirm that the information in this datasheet is up to date. We assume no responsibility for any infringement of patents, patent rights, or other rights arising from the use of any information and circuitry in this datasheet.

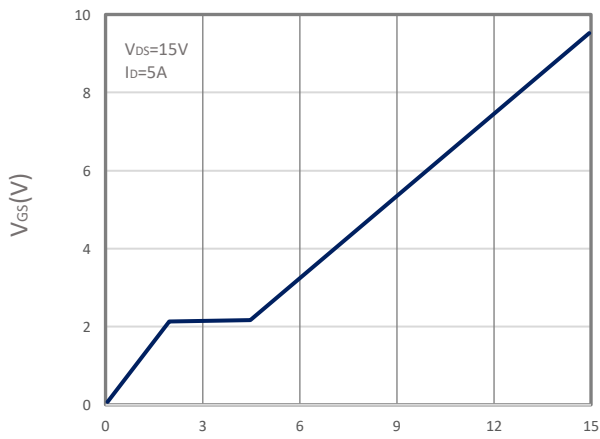
TYPICAL CHARACTERISTICS



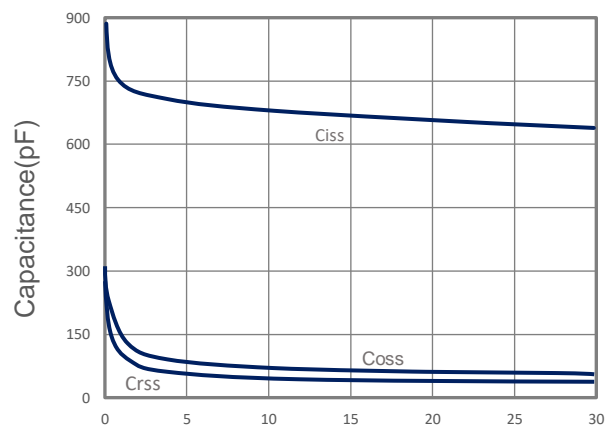
V_{DS}-Drain Source Voltage(V)
Output Characteristics



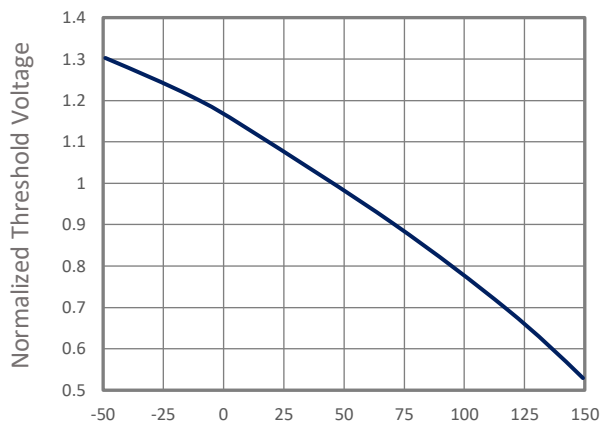
I_D-Drain Current(A)
Drain-Source On Resistance



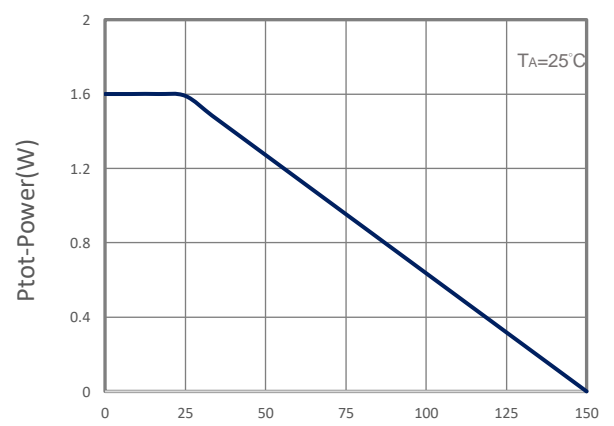
Q_G-Gate Charge(nC)
Gate Charge



V_{DS}-Drain Source Voltage(V)
Capacitance

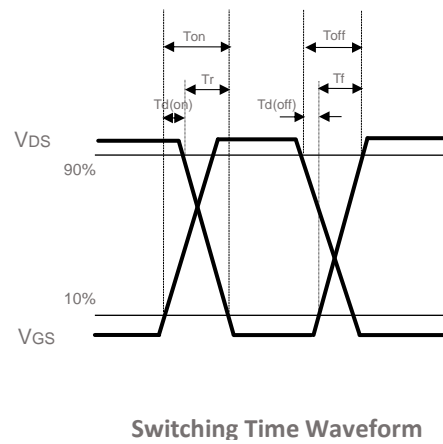
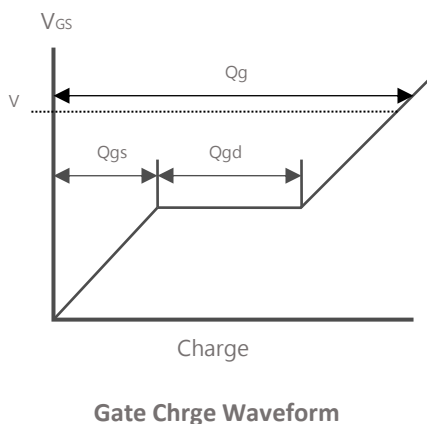
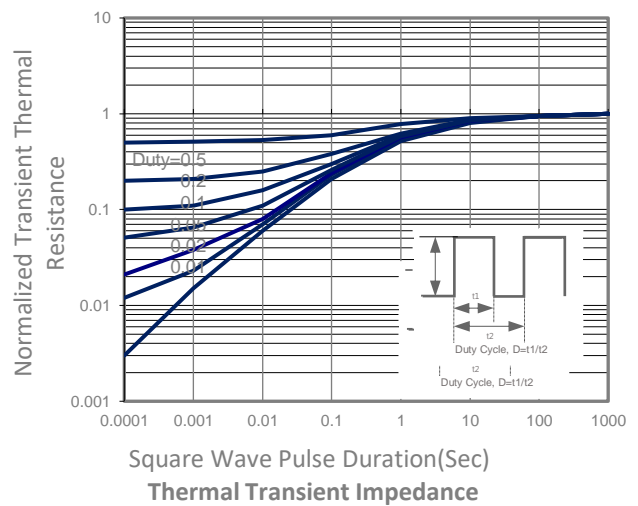
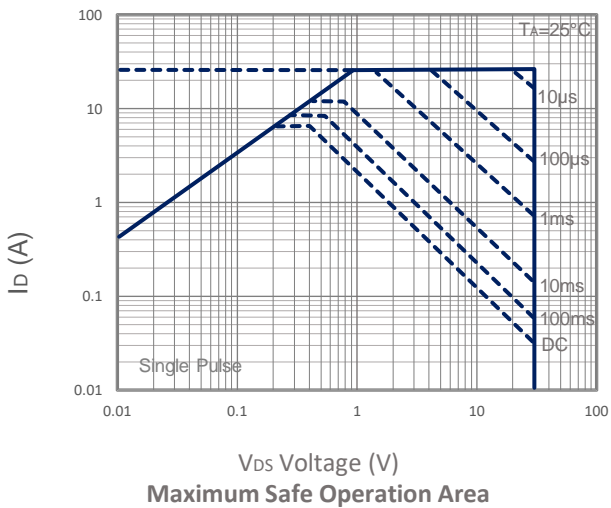
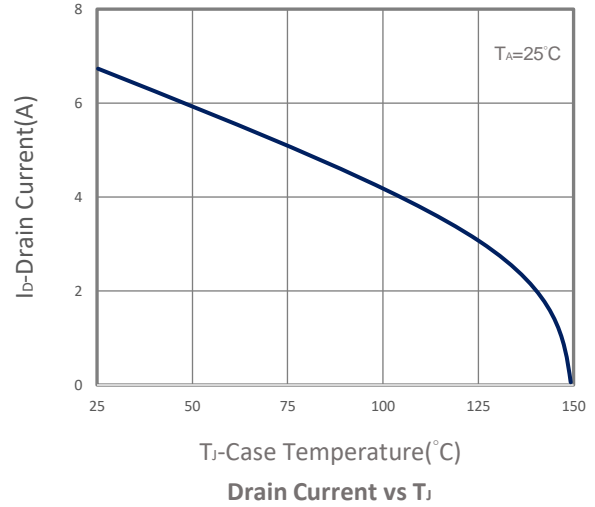
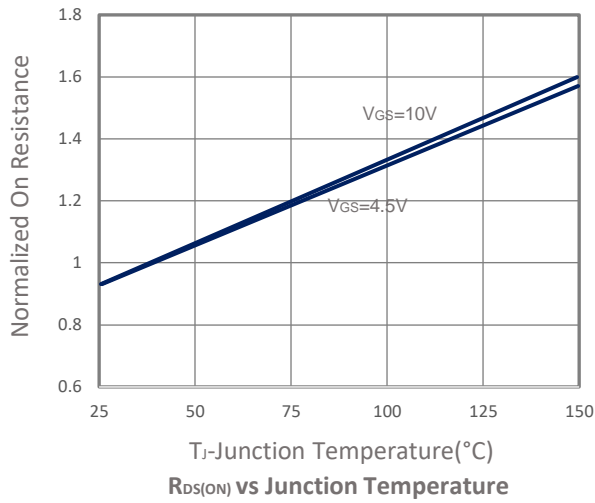


T_J-Junction Temperature(°C)
Gate Threshold Voltage

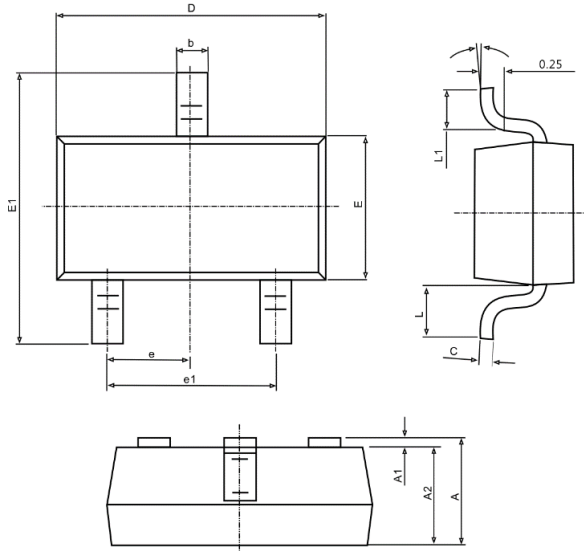


T_J-Junction Temperature(°C)
Power Dissipation

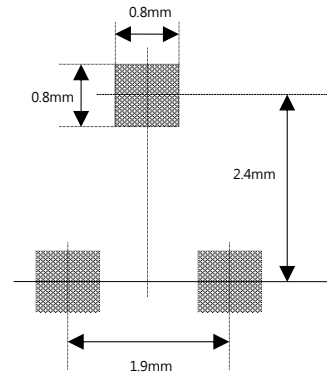
TYPICAL CHARACTERISTICS



■ SOT-23L PACKAGE DIMENSIONS



Recommended Minimum Pad(mm)



Symbol	Dimensions In Millimeters		Dimensions In Inches	
	Min.	Max.	Min.	Max.
A	1.000	1.300	0.039	0.049
A1	0.000	0.100	0.000	0.004
A2	1.000	1.200	0.039	0.047
b	0.300	0.500	0.012	0.020
c	0.047	0.207	0.002	0.008
D	2.800	3.000	0.110	0.118
E	1.500	1.700	0.059	0.067
E1	2.600	3.000	0.102	0.118
e	0.950 TYP.		0.037 TYP.	
e1	1.900 TYP.		0.075 TYP.	
L1	0.250	0.550	0.010	0.022
θ	0°	8°	0°	8°