

## IEC COMPATIBILITY

Transient protection for high-speed data lines to

- IEC 61000-4-2 (ESD) ±15KV (Air)  
±8KV (contact)**
- IEC 61000-4-4 (EFT) 40A (5/50ns)**
- IEC 61000-4-5 (Lightning) 3A(8/20μs)**

E05LC04 ROHS Compliant This is Halogen Free

## Low Capacitance TVS ESD Diode Array

### FEATURE

- ◆ 150Watts Peak Pulse Power per line(tp=8/20μs)
- ◆ Protects four I/O Line
- ◆ Low clamping voltage
- ◆ Working Voltage : 5V
- ◆ Low leakage current

### APPLICATIONS

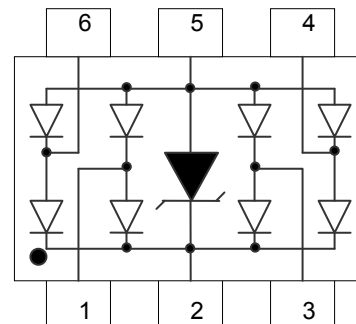
- ◆ HDMI Ports
- ◆ Cell phone Handsets & Accessories
- ◆ USB OTG
- ◆ Display Port
- ◆ Notebooks and Handhelds
- ◆ 10/100/1000 Ethernet
- ◆ IEEE1394 Firewire
- ◆ SIM Ports
- ◆ ATM Interfaces



## PIN CONFIGURATION



SOT-363  
Top View



## PART NUMBER INFORMATION

Part Number	Package Code	Handling Code	Lead Free Code	Shipping
E05LC04	U6 : SOT-363	TR : Tape&Reel	G	3K/Reel

## ABSOLUTE MAXIMUM RATINGS ( @ 25°C Unless otherwise specified )

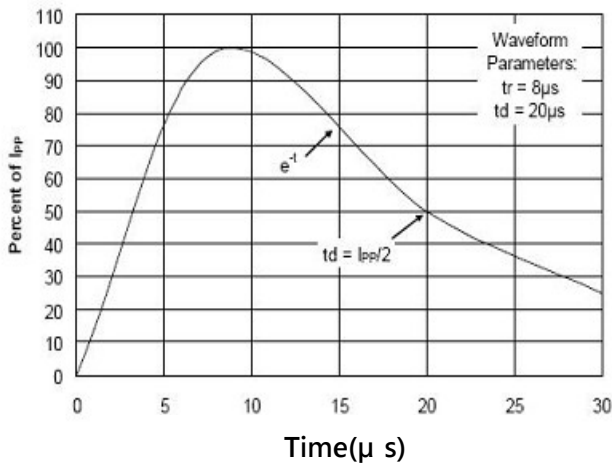
Symbol	Parameter	Typical	Unit
PPP	Peak Pulse Power (tp=8/20μs waveform)	150	W
T <sub>L</sub>	Lead Soldering Temperature	260(10 sec.)	°C
T <sub>J</sub>	Operation Temperature Range	-55 to 150	°C
T <sub>STG</sub>	Storage Temperature Range	-55 to 150	°C

## ELECTRICAL CHARACTERISTICS ( @ 25°C Unless otherwise specified )

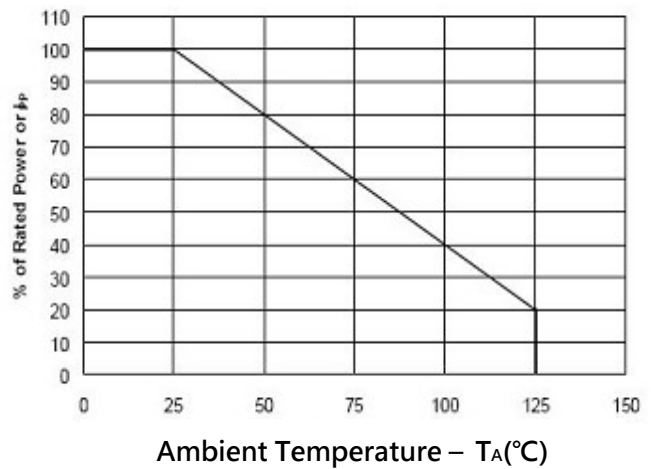
Parts	V <sub>RWM</sub> (V) (Max)	V <sub>B</sub> (V) (Min)	I <sub>T</sub> (mA)	V <sub>C</sub> @1A (Max)	V <sub>C</sub>		I <sub>R</sub> (μA) (Max)	C <sub>T</sub> (pF) (Max)
					(Max)	( @A)		
E05LC04	5.0	6.0	1	15	23	3	1	1

## TYPICAL CHARACTERISTICS

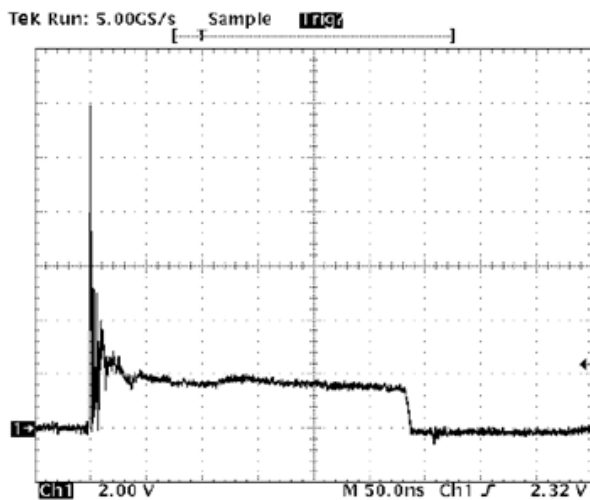
Pulse Waveform



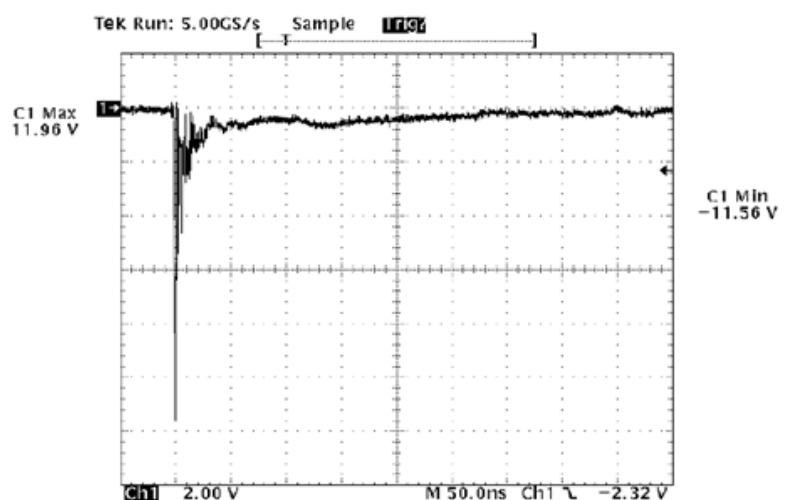
Power Derating Curve



ESD Clamping  
(8KV Contant per IEC 61000-4-2)



ESD Clamping  
(-8KV Contant per IEC 61000-4-2)



## SOT-363 PACKAGE DIMENSIONS

Symbol	Dimensions In Millimeters		Dimensions In Inches	
	Min.	Max.	Min.	Max.
A	0.800	1.100	0.031	0.043
A1	0.000	0.100	0.000	0.004
A3	0.200 REF		0.008 REF	
b	0.100	0.300	0.004	0.012
c	0.100	0.250	0.004	0.010
D	1.800	2.200	0.070	0.086
E	1.150	1.350	0.045	0.053
e	0.650 BSC		0.026 BSC	
L	0.100	0.300	0.004	0.012
E <sub>F</sub>	2.000	2.200	0.078	0.086

