

# STC2885 (P-MOSFET + Schottky Diode)



## FEATURE

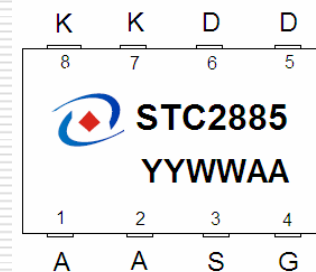
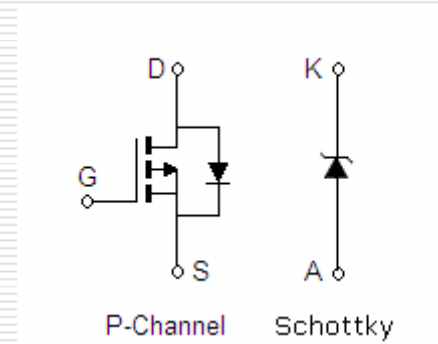
### P-MOSFET

- Convertibly APM2805 SI5853
- -20V/-3.2A
- $R_{DS(ON)} < 95m\Omega @ V_{GS} = -4.5V$
- $R_{DS(ON)} < 130m\Omega @ V_{GS} = -2.5V$
- $R_{DS(ON)} < 155m\Omega @ V_{GS} = -1.8V$
- Full RoHS compliance
- DFN-8L(2X3mm) Compact Package

### Schottky Diode

- $V_F = 0.45 @ I_F = 1A$
- $V_{AK} = 20V$

## PIN CONFIGURATION



TOP VIEW  
DFN3X2-8L